

Aspect™ High-Tilt

Imaging Table Datasheet

Ideal C-arm imaging solution for:

- Swallowing studies in post-surgical banding adjustment
- C-arm procedures requiring upright patient imaging or loading



Features

- Motorized tilt from horizontal to 75° upright with footswitch operator control
- Step-on patient loading with table in upright position
- 525 lb. patient weight capacity
- Ultra-stable during tilt motion and in any table position
- Easy C-arm imaging access in any tabletop position
- Compact table pedestal = very large imaging area
- Carbon fiber tabletop: artifact-free, low x-ray attenuation
- Standard 110 volt operation with battery back-up
- 5" locking casters and lightweight table for easy transport

Table includes:

- Built-in footboard
- Tabletop pad
- Patient handgrips
- Restraint straps
- Footswitch control

Aspect™ High-Tilt Product Specifications

Table dimensions:

- Tabletop: 24" W x 80" L (61cm x 203 cm)
- Table height in horizontal position: 32" (81cm)
- Footboard position with table upright: 5' (12.7cm) above floor

Imaging area:

- ~55" L (140cm) x 24" W (61cm)

Table movements:

- Table tilt range: 0° (horizontal) to 75° upright
- Motorized motions foot switch control
- Tilt speed: ~4°/sec (~20 sec to full stroke)

Patient weight capacity:

- 525 lb. (238kg)

Electrical:

- 110 VAC with battery backup (230 VAC operation optional)
-

Table Weight:

- Table: ~605 lbs. (274 kg)

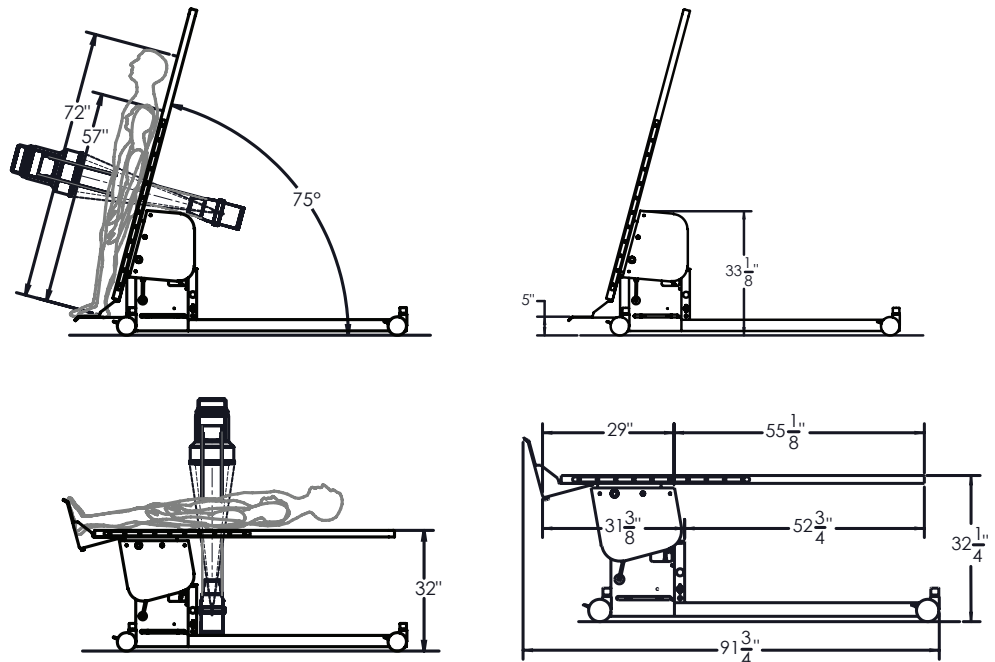
Accessories included:

- Tabletop Pad, 1" thick
- Hand grips (2)
- Standard US side rails (3/3" x 1 1/8") for hand grips attachment
- Footswitch control
- Patient Restraint Straps (2)

Optional Accessories (not included in standard accessory package):

- 2" thick pad

Warranty: 3 years parts, 1 year labor



Certifications: ETL listed to UL 2601-1,
UL 60601-1, EN 60601-1, IEC 60601-2-32,
IEC 60601-2-46 certification

D000-515D

Image Diagnostics

Since 1986, IDI has been a manufacturer of innovative products for surgical, interventional and diagnostic imaging.

Our product focus is in electro-mechanical solutions for fluoroscopic and digital radiographic applications.

IDI is committed to superior product design, value and customer support in everything we do.

Image Diagnostics, Inc.

310 Authority Drive
Fitchburg, MA, 01420
USA

Toll free: 877-304-5434

Tel: 978-829-0009

Fax: 978-829-0027

www.imagediagnostics.com